



Onu Triple Pendant

The Onu Triple is a continuation of the Onu Series, the pendant is suspended from three points using flex cable. The draped timber form draws lines within the interior, the lightness of a ribbon floating in space.

Dimensions

Standard sizes available:

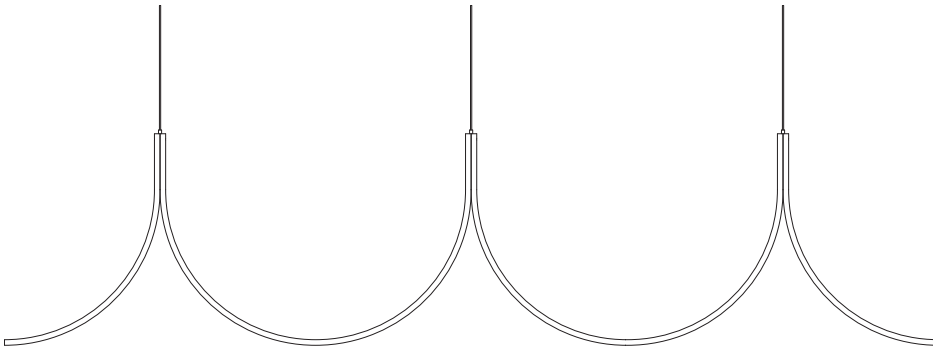
2400mm L x 550mm H

2700mm L x 625mm H

3000mm L x 700mm H

3300mm L x 750mm H

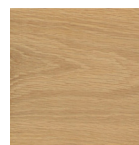
Dimensions customisable upon request



Materials



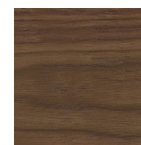
American
Ash



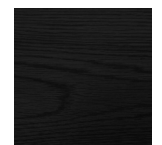
American
Oak



Tasmanian
Blackwood



American
Walnut



Black
American Oak



Brushed
Brass



Antique
Brass

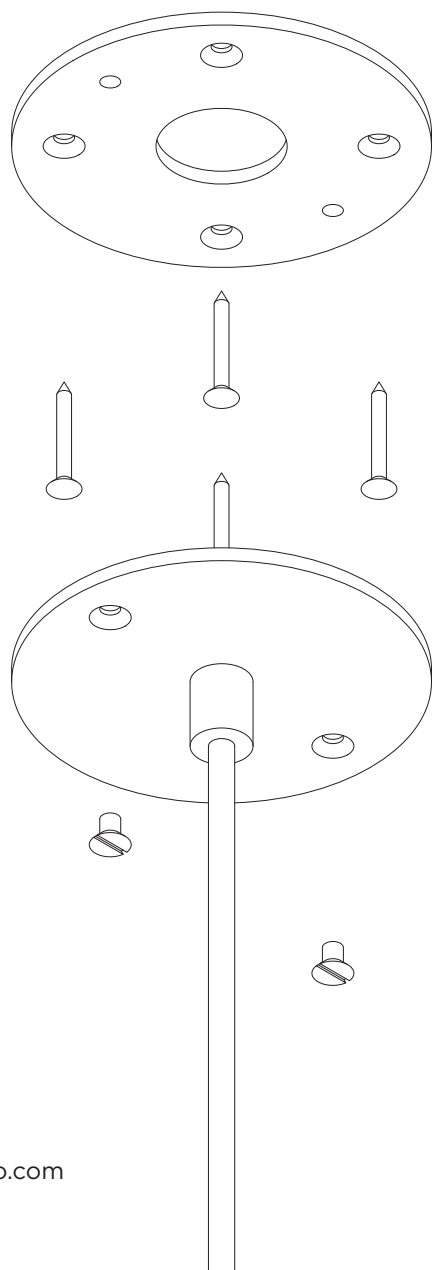


Blackened
Brass

Other timber and metal options available upon request

Specifications

Mounting	Ceiling Canopy
Environment	Indoor Use
Weight	5kg
Light Source	Warm White LED (3000k), other options also available
Voltage	24V
Power	100W / 150W
Led Driver	Supplied (100 / 240V to 24V)
LED Lumens	1800LM/M
Dimmable	Yes



Installation

Installation must be performed by a certified electrician.

1. Please ensure mains power is switched off before installation
2. The required distance between the three brackets can vary slightly, please allow for varying distance of up to +/- 25mm. When determining distance, lay pendant on a flat surface and take measurement between the cables. It is preferable to keep the distance the same on either side.
3. The LED driver is to be installed in the ceiling or wall cavity.
4. The top plates are to be secured to ceiling with screws (not included), it is to be fixed to a solid batten or block in ceiling.
5. Connect wires using a terminal block. Power is only required for the two outermost suspension points, no power is required for the middle.
6. Cable can be cut to length, the cover plates are to be fixed to cable using the cable grips and grub screws.
7. Cover plates and pendant light is to be secured to top plate.